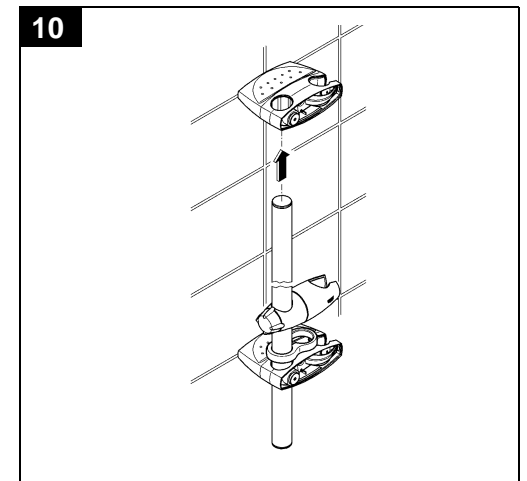
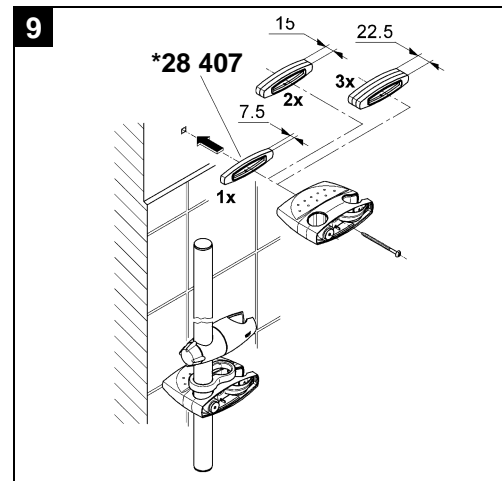
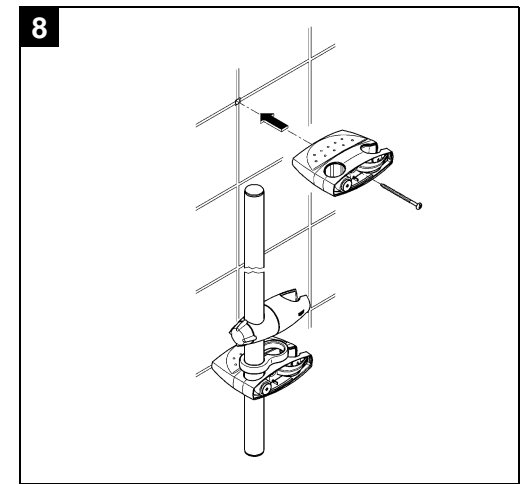
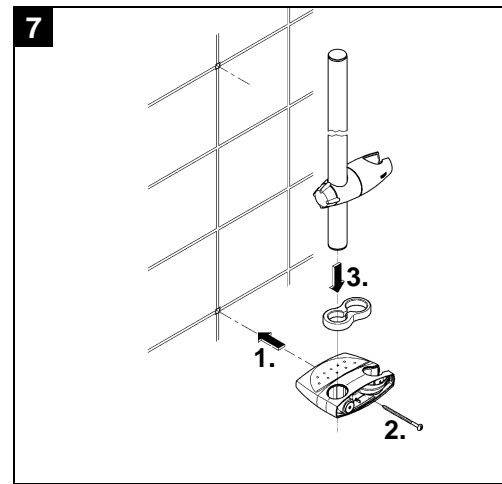
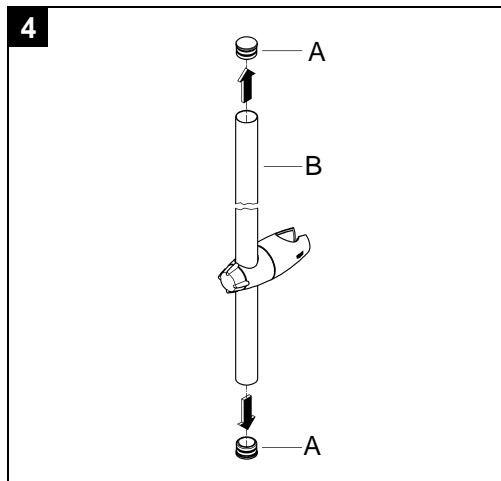
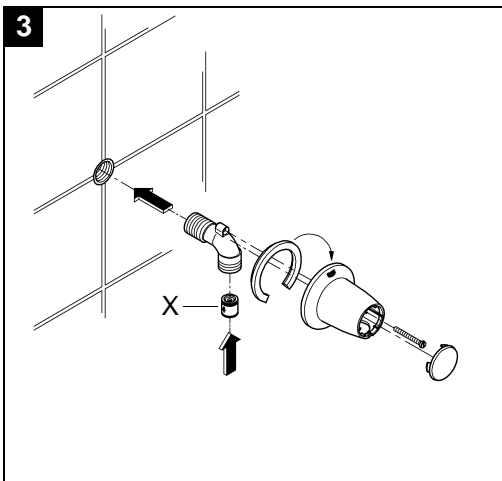
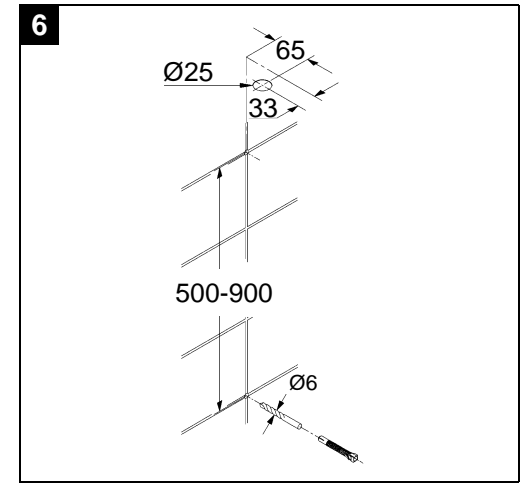
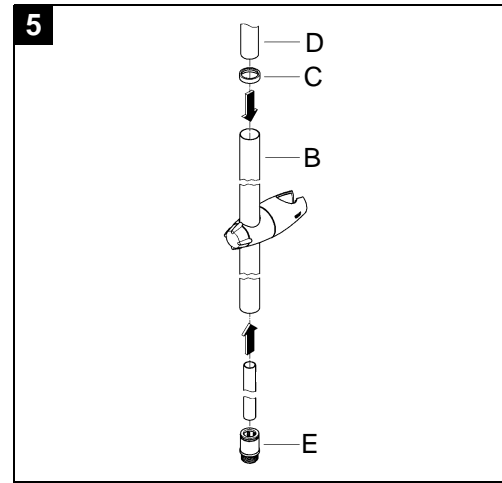
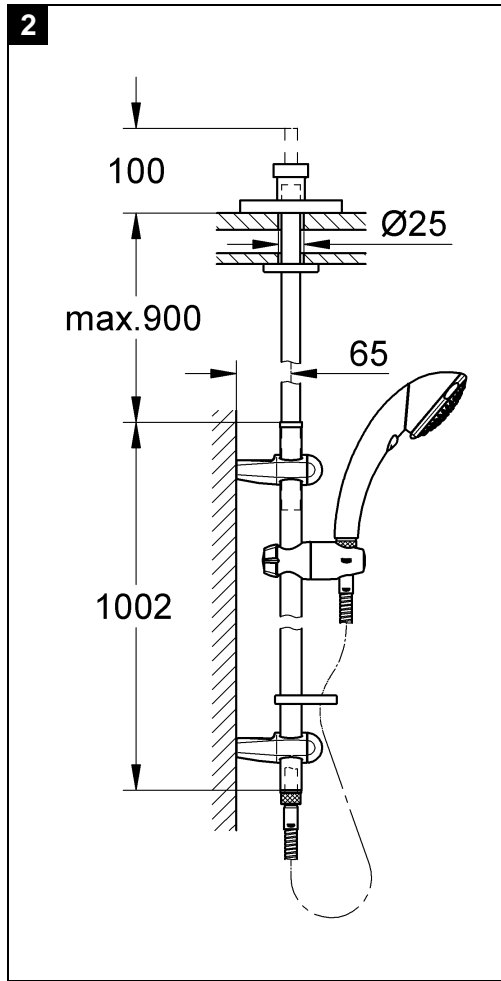
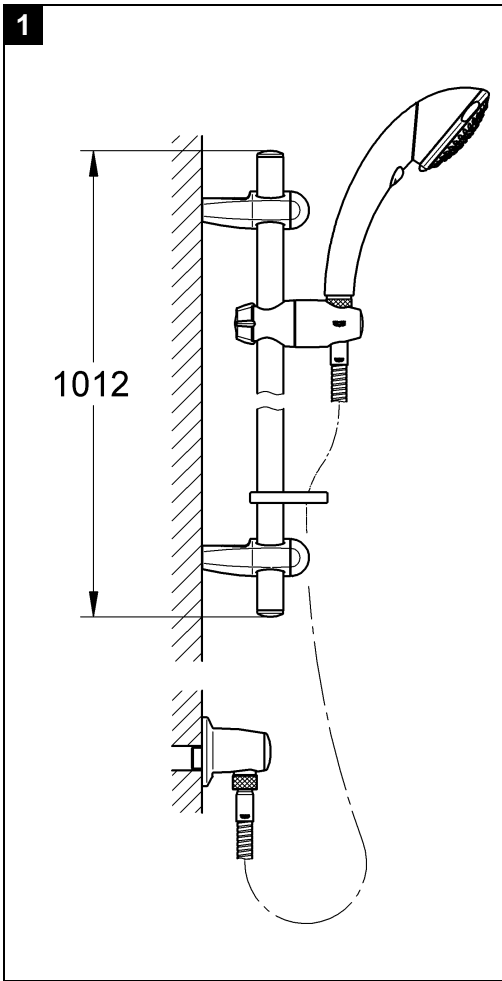


Grotherm Wireless!

Installation Instructions

95.668.131/ÄM 207883/05.07

GROHE
ENJOY WATER®



Installation

Installation

This shower combination allows water connection by two different methods. All parts for both executions are contained in the product.

Options are:

- Connection via elbow outlet, see Page 3, Fig. [1].
- Connection via telescopic pipe set, see Page 3, Fig. [2].

For the decision please pay attention to local electric wiring and water lines.

Refer to the dimensional drawing on Page 1.

Elbow outlet method

1. Lay out and install elbow outlet if used, see Fig. [3].
2. Insert non-return valve (X)

Telescopic pipe set method

1. Lay out telescopic pipe set if used and shower rail in accordance to the dimensions given in Fig. [2].
2. Pull off caps (A) from shower rail (B), see Fig. [4].
3. Push glide bush (C) to the top end of the shower rail (B) and insert tube (D) of telescopic pipe set, see Fig. [5].
4. Mount push fit connection (E) to Ø 15mm copper pipe (not included).
5. Insert Ø 15mm copper pipe with push fit connection (E) in shower rail from below and fasten.

Shower Rail

- Install shower rail for both installation possibilities, see Pages 4 and 7, Figs. [6] to [13].

Fix telescopic pipe set

1. Push on ceiling rosette (G), see Page 7, Fig. [14].
2. Feed the tube (D) and Ø 15mm copper pipe through deck / ceiling, cover with ceiling clamp (H) and fasten, see Fig. [15].
3. Mount ceiling clamp (H) with screws (I) to deck / ceiling.
4. Secure Ø 15mm copper pipe by turning the push fit (J), see Fig. [16].

Handspray

1. Insert throttle (Y) into hand shower, see Page 8, Fig. [17].
2. Tighten hose (K) by hand only.
3. Connect hose to elbow outlet or bottom of shower rail.

Setting the spray types

By turning the adjusting ring (L), the different spray types can be set, see Fig. [17].

Shower head positions

By pressing the button (M), the shower head can be adjusted in 45° steps, Fig. [17].

- Position as hand shower, see Fig. [18].
- Position as side shower, see Fig. [19].
- Position for e. g. cleaning purposes, see Fig. [20].

Connect mixed water outlet of Base Unit to shower combination.

Open cold and hot water supply.

Check the pipework and connections to the shower controller for leaks.

The Shower Set is now ready for use.

Maintenance

Inspect and clean all parts, replace as necessary and grease with special grease.

Disassembling handspray, see Fig. [21].
Unscrew spray face plate (N) using a 3mm allen key.

Assemble in reverse order.

- Grease seals (O) of spray face plate (P).
- When reassembling the spray face plate (N), the stop (P) must be at the back.
- Filter (R) must always be re-installed!

Quick-decalcification, see Fig. [22].

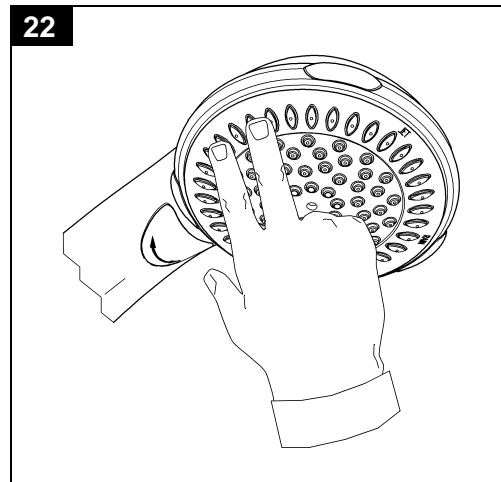
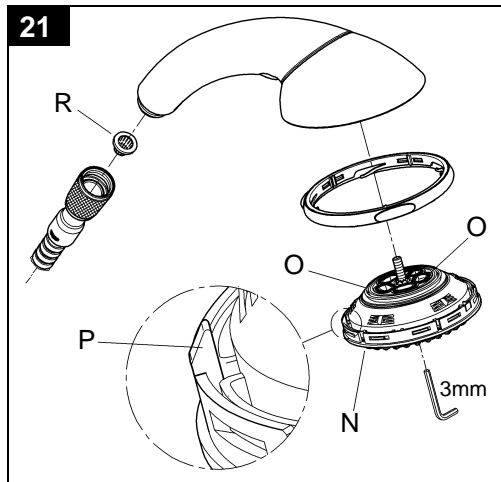
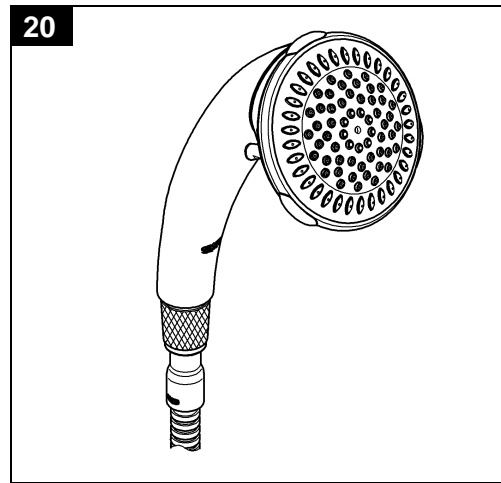
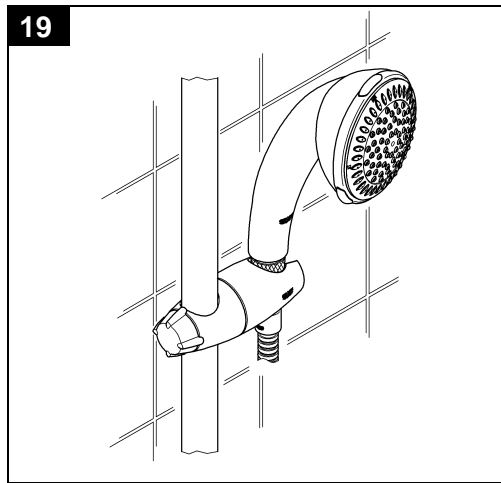
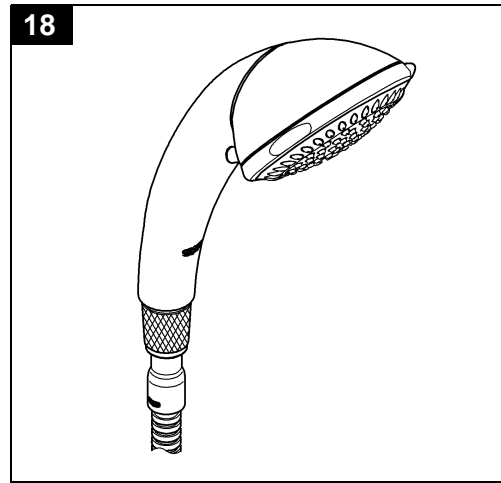
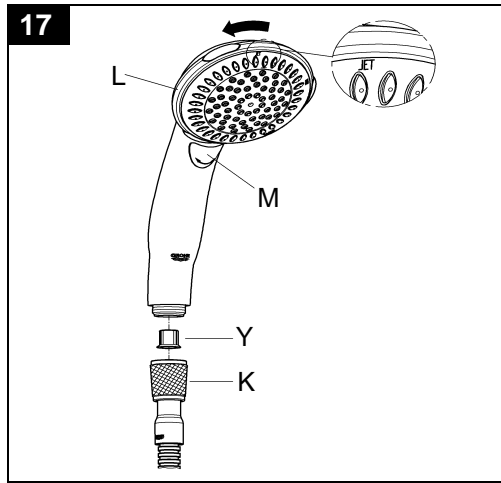
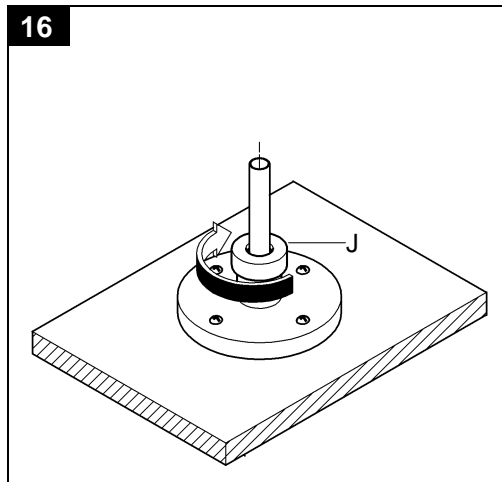
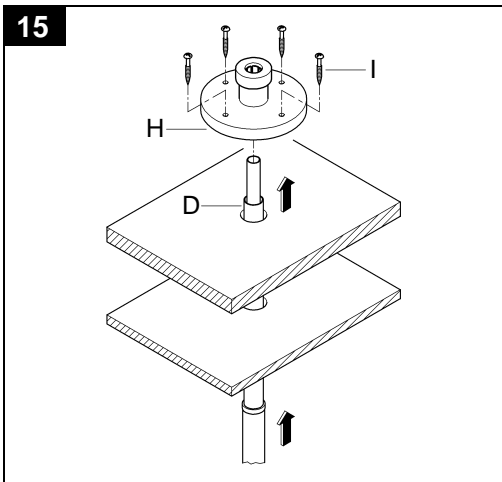
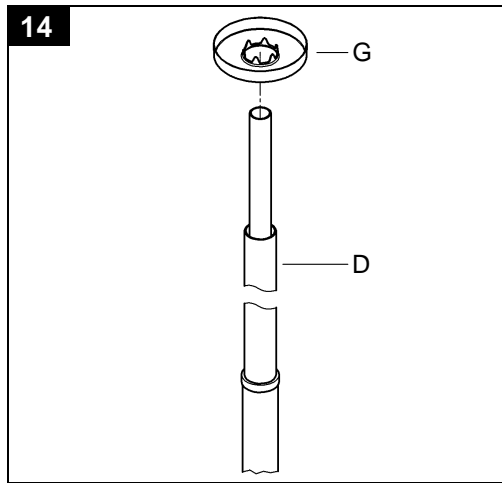
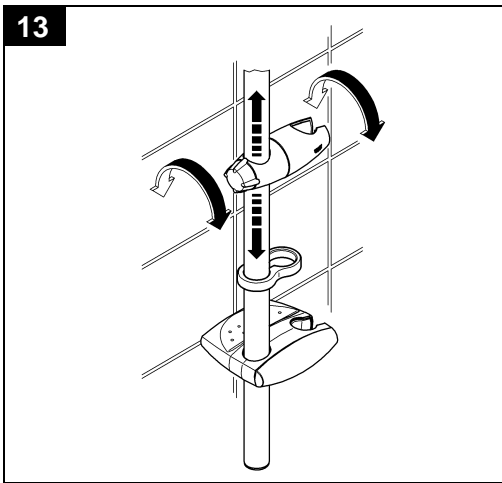
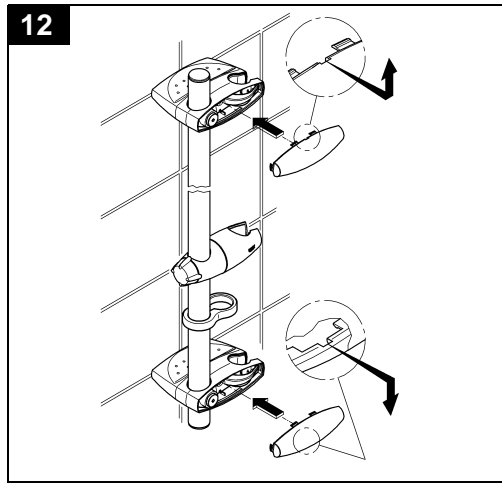
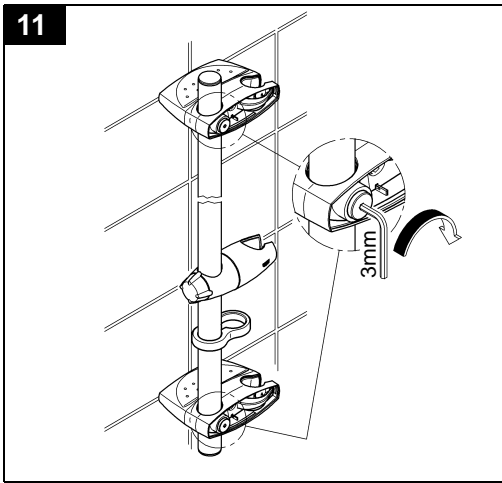
We guarantee that the SpeedClean nozzles will function unchanged for a period of 5 years. With SpeedClean nozzles simply rub fingers over the rose to remove limescale.

Care

For directions on care, refer to the accompanying Care Instructions.

Replacement Parts

No.	Description	Cat.-No.	Pack- ing unit	No.	Description	Cat.-No.	Pack- ing unit
1	Seal	06 768	5	4	Sliding Rail Element	12 353	1
2	Cover Cap	11 482	1	5	Non-Return Valve	08 565	1
3	Bracket	45 923	1				
3.1	Fixing Set	45 924	1		Optional accessory		
				6	Spacer Disc	28 407	1





A series of horizontal lines for writing, consisting of 20 evenly spaced lines extending across the width of the page.

D
Grohe Deutschland
Vertriebs GmbH
Zur Porta 9
32457 Porta Westfalica
Tel.: +49 571 3989-333
Fax: +49 571 3989-999

A
GROHE Ges.m.b.H.
Wienerbergerstraße 11
1100 Wien
Tel.: +32 1 68060-0
Fax: +32 1 6898747

B
GROHE nv - sa
Diependaalweg 4a
3020 Winksele
Tel.: +32 16 230660
Fax: +32 16 239070

BG
Представителство
Grohe AG
в България
Ралф Шпиринг
Клон 11, П.К. 35
8011 Бургас
тел./факс.: +359 56 950104
тел./факс.: +359 56 845549

CDN
GROHE Canada Inc.
1226 Lakeshore Road East
Mississauga, Ontario
Canada, L5E 1E9
Tel.: +1 905 2712929
Fax: +1 905 2719494

CH
Grohe Switzerland SA
Hertistrasse 2
8304 Wallisellen
Tel.: +41 44 8777300
Fax: +41 44 8777320

CN
高仪 (上海)
卫生洁具有限公司
宁桥路615号
201206 上海
中华人民共和国
电话: +86 21 50323535
传真: +86 21 50550363

CY
Nicos Theodorou & Sons Ltd.
12 Dimitris Street
CY-1507 Nicosia
P.O. Box 21387
Tel.: +357 22 757671
Fax: +357 22 759085

CZ SK
Grohe ČR s.r.o.
Zastoupení pro ČR a SR
V Oblouku 104, Čestlice
251 01 Průhonice
Tel.: +420 22509 1081-4
Fax: +420 22509 1085

DK
GROHE A/S
Walgerholm 11
3500 Vaerløse
Tel.: +45 44 656800
Fax: +45 44 650252

E
GROHE España S.A.
C/ Botanica, 78 - 88
Gran Via L'H - Distr. Econòmic
08908 L'Hospitalet de Llobregat
(Barcelona)
Tel.: +34 93 3368850
Fax: +34 93 3368851

EST LT LV
ALPIGRO OÜ
Alar Pihlak
Jõe 5
10151 Tallinn
Tel.: +372 6261204
Fax: +372 6261204

F
GROHE s.à.r.l.
11, Rue des Peupliers
92441 Issy-les-
Moulineaux Cedex
Tel.: +33 1 46625000
Fax: +33 1 46626110

FIN
Oy Teknocalor Ab
Sinikellonkuja 4
01300 Vantaa
Tel.: +358 9 8254600
Fax: +358 9 826151

GB
GROHE Limited
Blays House, Wick Road
Englefield Green
Egham, Surrey, TW20 0HJ
Tel.: +44 871 200 3414
Fax: +44 871 200 3415

GR
Nikos Sapountzis S.A.
86, Kapodistriou & Roumelis Str.
142 35 N. Ionia - Athens
Tel.: +30 10 2712908
Fax: +30 10 2715608

H
GROHE Hungary Kft.
Liget u. 1.
2040 Budaörs
Tel.: +36 23 422 468
Fax: +36 23 422 469

HR
ENERTECH GmbH
Division Giersch
Maksimirska 96/II
10000 Zagreb
Tel.: +385 1 2338260
Fax: +385 1 2308024

I
GROHE S.p.A.
Via Castellazzo Nr. 9/B
20040 Cambiago (Milano)
Tel.: +39 2 959401
Fax: +39 2 95940263

IND
Grohe India Private Limited
The Great Eastern Centre
Gesco Corporate Centre
70 Nehru Place
New Dehli 110019
Tel.: +91 11 5561 9423 / 9513
Fax: +91 11 5561 9451

IS
BYKO hf.
Skemmuvegi 2
200 Kópavogur
Tel.: +354 515 4000
Fax: +354 515 4099

J
Grohe Japan Ltd.
TRC Building, 3F
1-1 Heiwajima 6-chome, Ota-ku
Tokyo 143-0006
Tel.: +81 3 32989730
Fax: +81 3 37673811

N
GROHE A/S
Karihaugveien 89
1086 Oslo
Tel.: +47 22 906110
Fax: +47 22 906120

NL
GROHE Nederland BV
Metaalstraat 2
2718 SW Zoetermeer
Tel.: +31 79 3680133
Fax: +31 79 3615129

P
GROHE Portugal
Componentes Sanitários, Lda.
Rua Arq. Cassiano Barbosa, 539
1.º Frente Esquerdo
4100-009 Porto
Tel.: +351 22 543 29 80
Fax: +351 22 543 29 99

PL
GROHE Polska Sp. z o.o.
Ul. Migdalowa 4
02-796 Warszawa
Tel.: +48 22 6451255 - 57
Fax: +48 22 6451258

RUS
Представительство
Grohe AG
Москва, ул. Пусаковская 13, стр. 1
1107140
тел.: +7 495 9819510
факс: +7 495 9819511

RO
Grohe AG Reprezentanta
Strada Nicolae Iorga 13,
Corp B
010432 Bucuresti (Sector 1)
Tel.: +40 21 2125050
Fax: +40 21 2125048

S
GROHE A/S
Box 2063
194 02 Upplands Väsby
Tel.: +46 771 141314
Fax: +46 771 141315

SLO
GROSAN inženiring d.o.o.
Slandrova 4
1000 Ljubljana
Tel.: +386 1 5633060
Fax: +386 1 5633061

TR
GROME İc ve Dis Ticaret Ltd. Sti.
Bagdat Cad. Ugras Parlar Is
Merkezi No: 305, B Blok D: 12 - 15
34846 Cevizli - Maltepe-Istanbul
Tel.: +90 216 4412370
Fax: +90 216 3706174

UA
Представництво
Grohe AG в Україні
Вуд. Івана Франка, 18-А
01030 Київ
тел.: +38 044 537 52 73
факс: +38 044 590 01 96

USA
GROHE America Inc.
241 Covington Drive
Bloomingtondale
Illinois, 60108
Tel.: +1 630 5827711
Fax: +1 630 5827722

**Near and Middle East
Area Sales Office:**
GROHE Marketing
(Cyprus) Ltd.
11, Lemesou Avenue
Galatariotis Building 1st floor
2112 Aglanjia
P.O. Box 27048
1641 Nicosia
Tel.: +357 22 465200
Fax: +357 22 379188

Far East Area Sales Office:
GROHE Pacific Pte. Ltd.
260 Orchard Road
08-03/04 The Heeren
Singapore 238855
Tel.: +65 6738 5585
Fax: +65 6738 0855

GROHE

ENJOY WATER®